

FOREBAY & INFILTRATION BASIN #2

| INFIL BASIN | BASIN BOTTOM | BASIN TOP | 1 YR. ELEV. | 100 YR. ELEVATION | PIPE OUT INV. | STANDPIPE TOP ELEV. | WEIR ELEVATION | WEIR WIDTH | PERF PIPES |
|-------------|--------------|-----------|-------------|-------------------|---------------|---------------------|----------------|------------|------------|
| BASIN 1 | 549.0 | 551.0 | 549.05 | 550.57 | 548.75 | 550.5 | 550.5 | 5.0' | N/A |

1 SY5 1"=10.0 FT

BASIN CONSTRUCTION SEQUENCE
 A: NO SEDIMENTS TO ENTER BASIN DURING CONSTRUCTION & NO STORM WATER TO ENTER BASIN UNTIL SITE IS STABILIZED.

FOREBAY & INFILTRATION BASIN #3

| INFIL BASIN | BASIN BOTTOM | BASIN TOP | 1 YR. ELEV. | 100 YR. ELEVATION | PIPE OUT INV. | STANDPIPE TOP ELEV. | WEIR ELEVATION | WEIR WIDTH | PERF PIPES |
|-------------|--------------|-----------|-------------|-------------------|---------------|---------------------|----------------|------------|------------|
| BASIN 2 | 530.0 | 534.5 | 530.33 | 533.9 | 531.0 | 533.0 | 534.0 | 8.0' | N/A |

2 SY5 1"=10.0 FT

BASIN CONSTRUCTION SEQUENCE
 A: NO SEDIMENTS TO ENTER BASIN DURING CONSTRUCTION & NO STORM WATER TO ENTER BASIN UNTIL SITE IS STABILIZED.

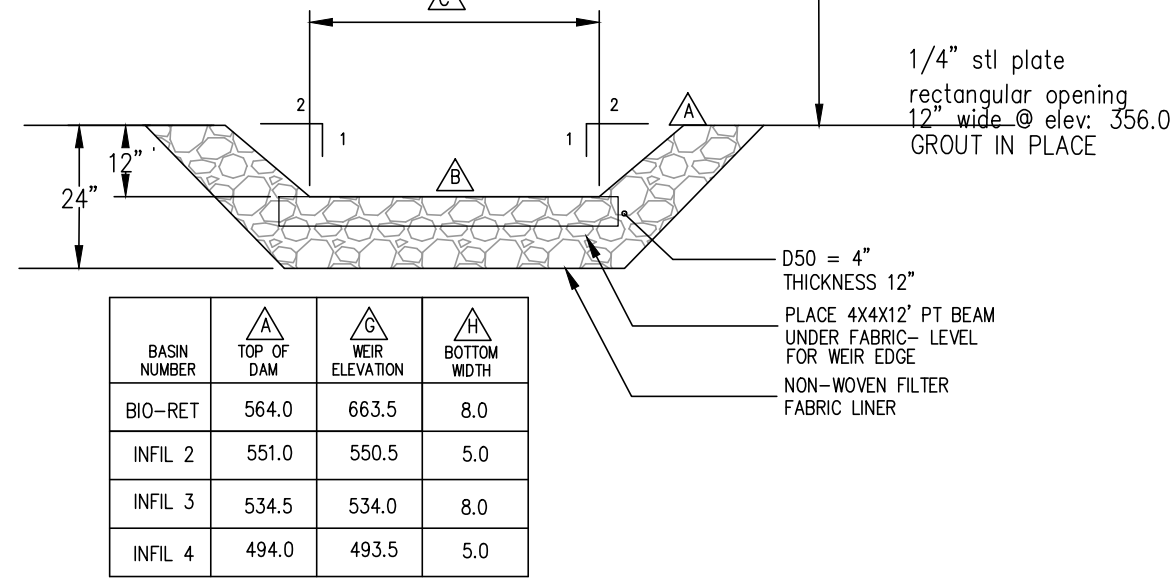
FOREBAY & INFILTRATION BASIN #4

| INFIL BASIN | BASIN BOTTOM | BASIN TOP | 1 YR. ELEV. | 100 YR. ELEVATION | PIPE OUT INV. | STANDPIPE TOP ELEV. | WEIR ELEVATION | WEIR WIDTH | PERF PIPES |
|-------------|--------------|-----------|-------------|-------------------|---------------|---------------------|----------------|------------|------------|
| BASIN 2 | 490.0 | 494.0 | 491.25 | 494.5 | 490.3 | 493.0 | 493.5 | 5.0' | N/A |

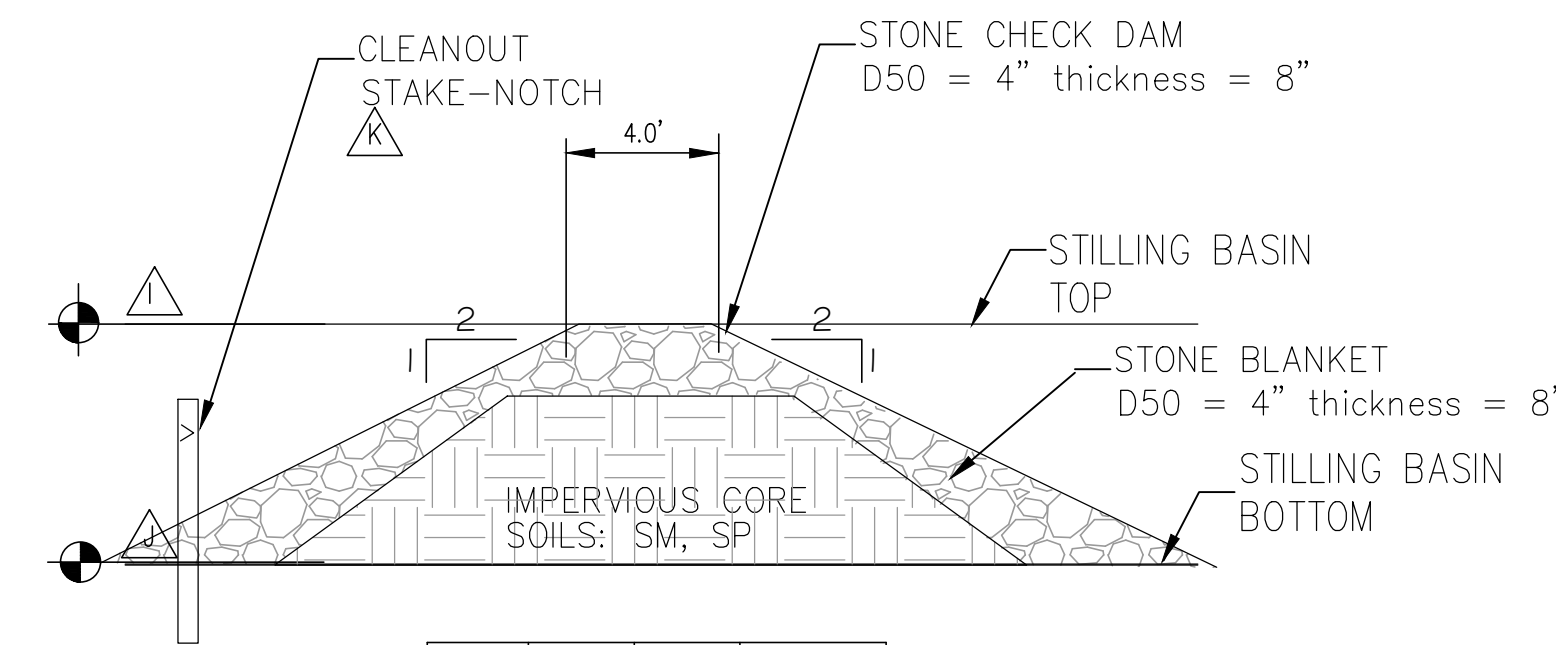
3 SY5 1"=10.0 FT

BASIN CONSTRUCTION SEQUENCE
 A: NO SEDIMENTS TO ENTER BASIN DURING CONSTRUCTION & NO STORM WATER TO ENTER BASIN UNTIL SITE IS STABILIZED.

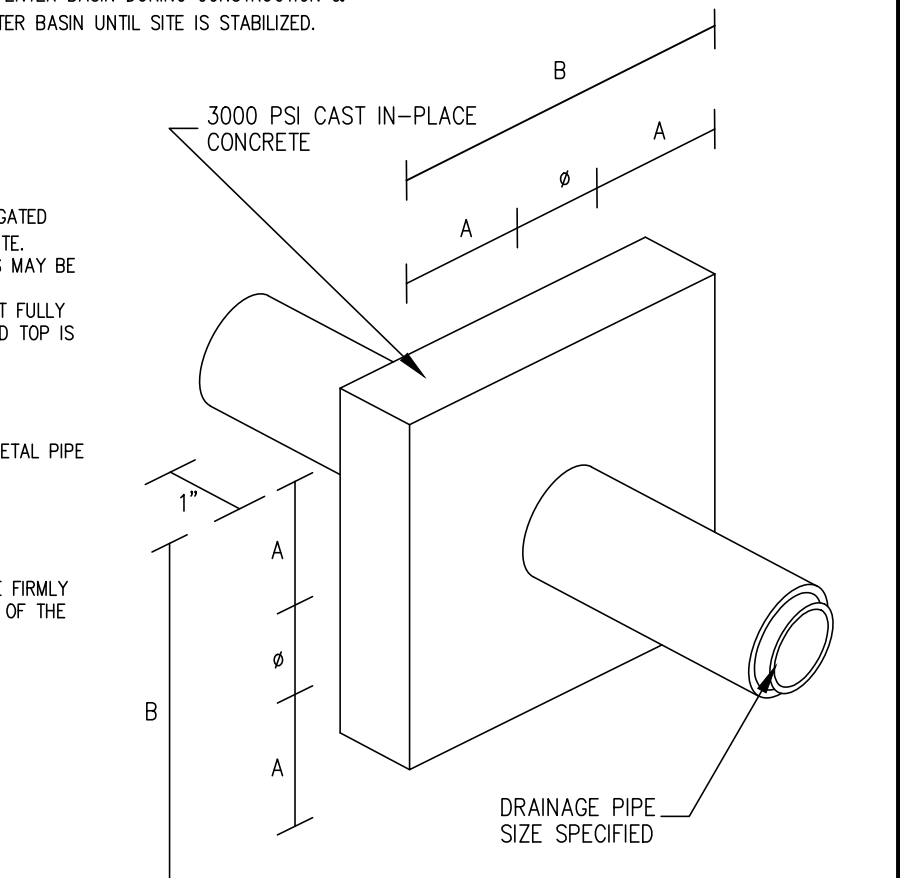
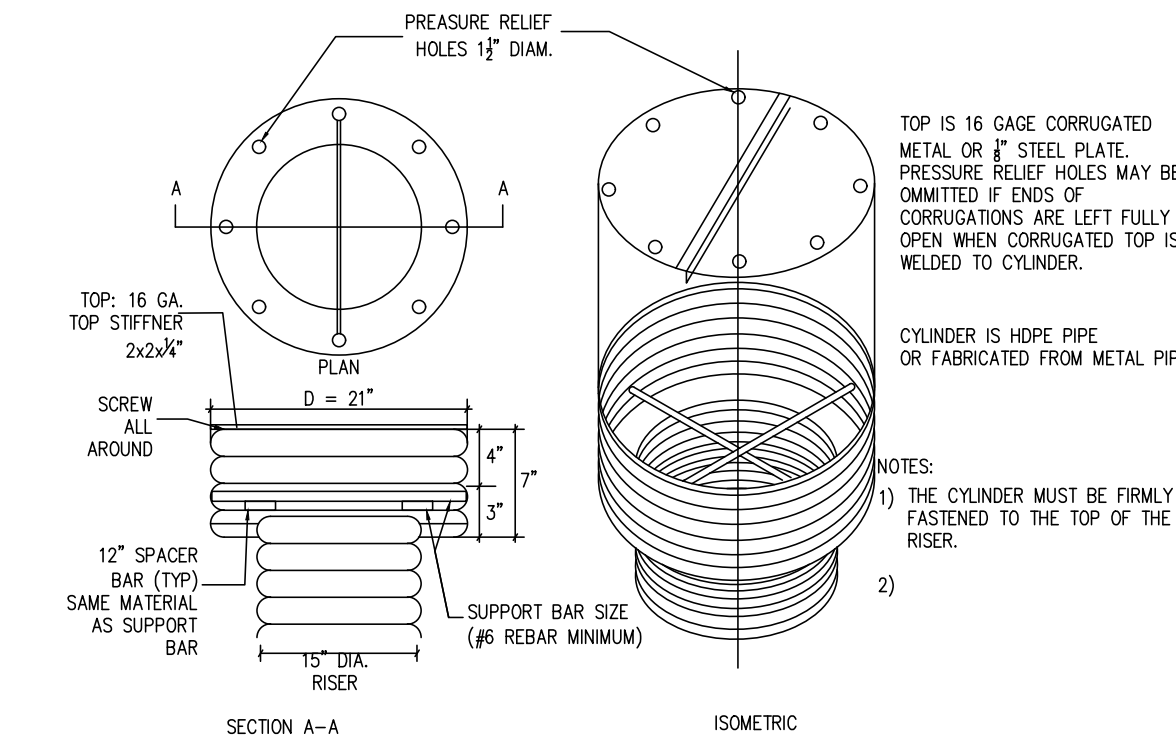
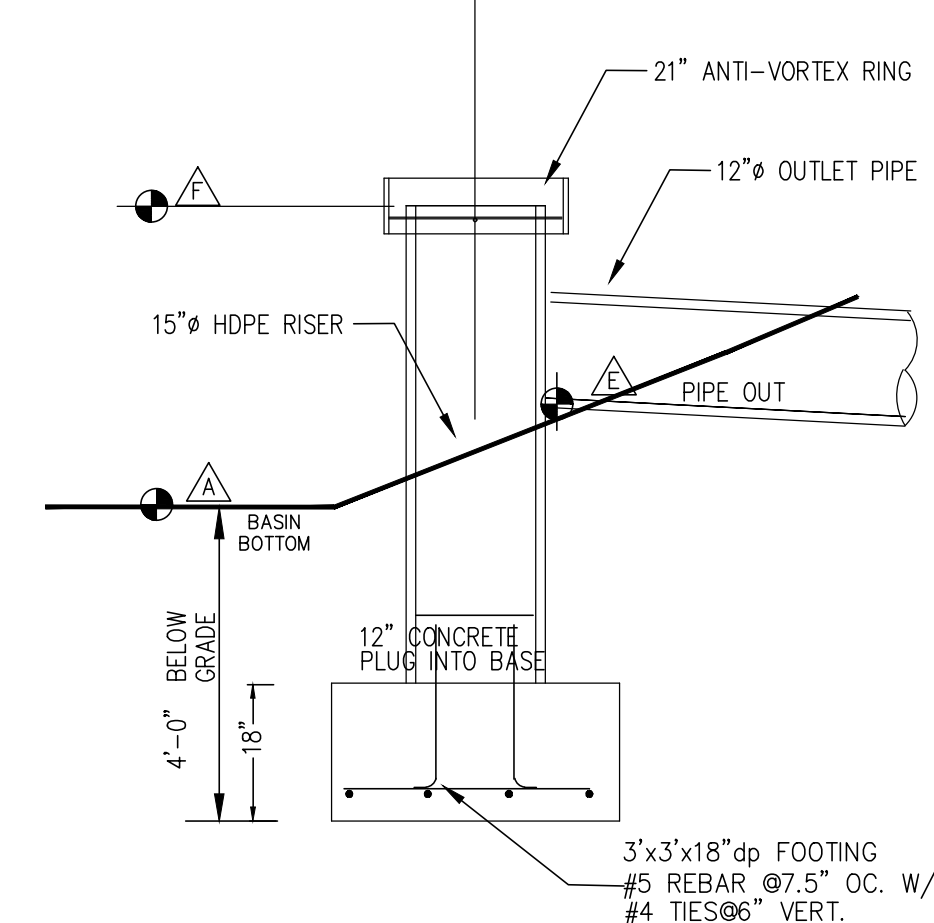
- NOTES:**
- NON-WOVEN FILTER FABRIC SHALL BE 160N WITH A MIN. PUNCTURE STRENGTH OF 95 LBS. AS MANUFACTURED BY MIRAFI INC. OR APPROVED EQUAL.
 - SLOPE AT 1%



| BASIN NUMBER | TOP OF DAM | WEIR ELEVATION | BOTTOM WIDTH |
|--------------|------------|----------------|--------------|
| BIO-RET | 564.0 | 663.5 | 8.0 |
| INFIL 2 | 551.0 | 550.5 | 5.0 |
| INFIL 3 | 534.5 | 534.0 | 8.0 |
| INFIL 4 | 494.0 | 493.5 | 5.0 |



| BASIN NUMBER | TOP OF CHECK DAM | BASE OF CHECK DAM | TOP OF CLEANOUT STAKE |
|--------------|------------------|-------------------|-----------------------|
| INFIL 2 | 551.0 | 549.0 | 550.0 |
| INFIL 3 | 534.0 | 530.0 | 532.0 |
| INFIL 4 | 494.0 | 490.0 | 492.0 |



| BASIN # | B | A | # | # OF ANTI-SEEP COLLAR |
|---------|------|-------|-----|-----------------------|
| BIO-RET | 3.75 | 15" | 15" | 2-LOCATED WITHIN BERM |
| INFIL 2 | 3.5 | 15" | 12" | 2-LOCATED WITHIN BERM |
| INFIL 3 | 3.5 | 15" | 12" | 2-LOCATED WITHIN BERM |
| INFIL 4 | 3.75 | 16.5" | 12" | 2-LOCATED WITHIN BERM |

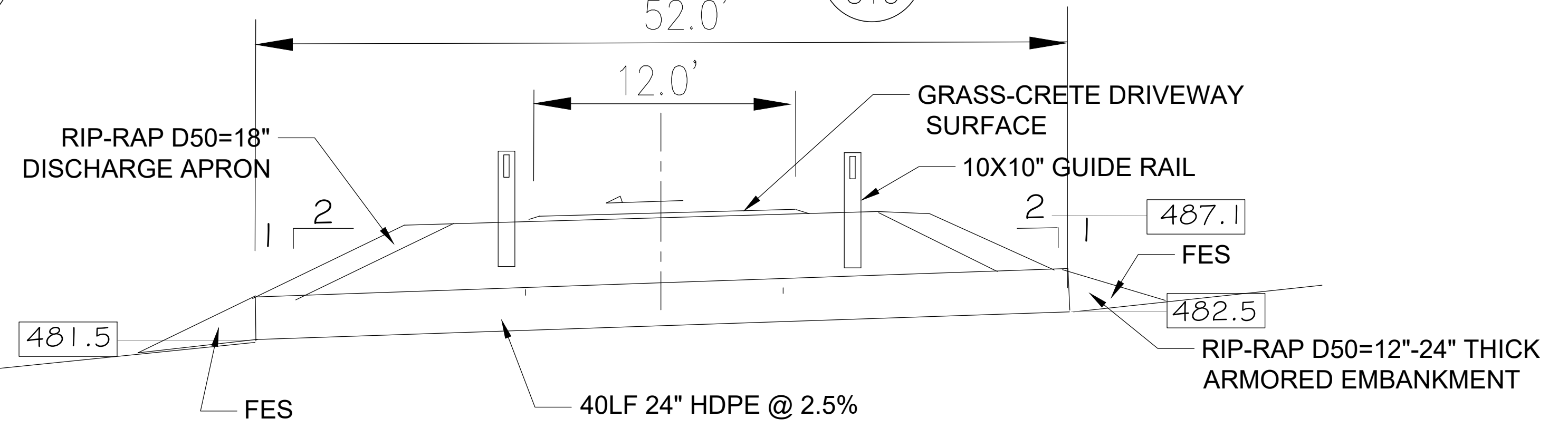
4 SY5 OVERFLOW WEIR N.T.S.

6 SY5 SETTLING FOREBAY WEIR SECTION N.T.S.

6 SY5 STANDARD OUTLET STRUCTURE SECTION N.T.S.

7 SY3 ANTI-VORTEX RING N.T.S.

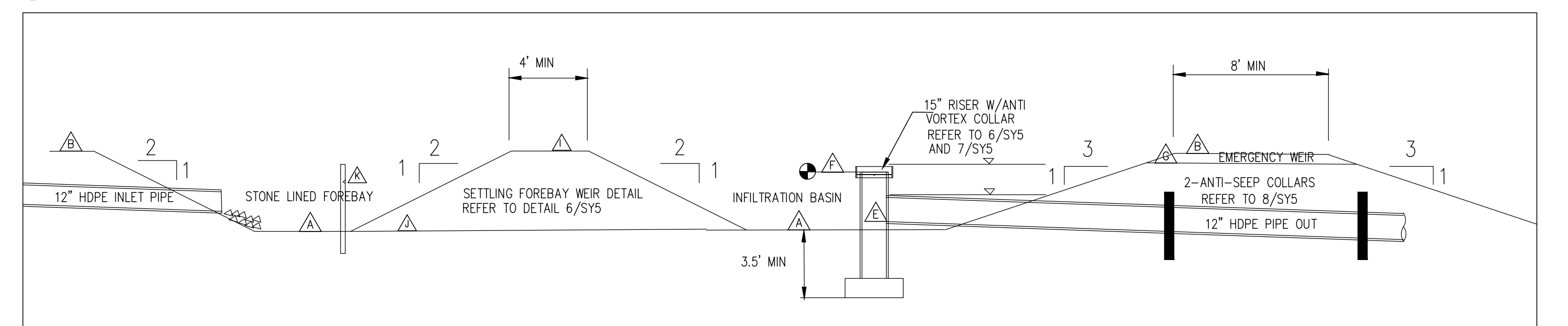
8 SY5 ANTI-SEEP COLLAR DETAIL N.T.S.



WETLAND CROSSING-RIP-RAP SLOPES

SCALE: 1"=5.0'

NOTE: DO NOT SCALE DRAWINGS DIMENSIONS SUPERCEDE SCALE



10 SY5 TYPICAL FOREBAY & INFILTRATION BASIN CROSS SECTION N.T.S.

THESE DRAWINGS ARE THE SOLE PROPERTY OF P.W. SCOTT ENGINEERING AND ARCHITECTS, P.C. AND WILL NOT BE REPRODUCED BY ANY MEANS AND BE GIVEN TO ANY OTHER TRADES/PERSONS WITHOUT THE EXPRESS PERMISSION OF P.W. SCOTT ENGINEERING AND ARCHITECTS, P.C.

P. W. SCOTT
 ENGINEERING & ARCHITECTURE, P.C.
 3871 ROUTE 6
 BREWSTER, NY 10509 845-278-2110

| Revisions | | Dwg. Title | Seal | Dwg. No. | |
|-----------|------|---------------|------|-----------------------------|--|
| No. | Date | Description | | SY5 DWG: 13 OF 19 | |
| | | Project Title | | | |
| | | Proj. No. | | | |
| | | Date | | | |

STORMWATER MANAGEMENT DETAILS
 MILLTOWN ROAD, TOWN SOUTHEAST
 20-114
 1/10/25
 Drawn by MA
 Scale AS NOTED